

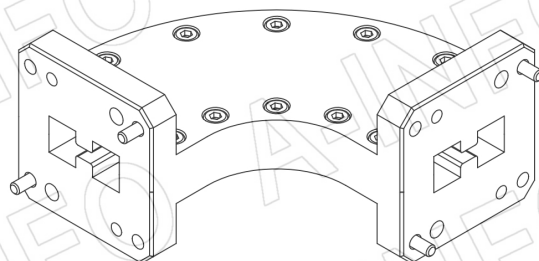
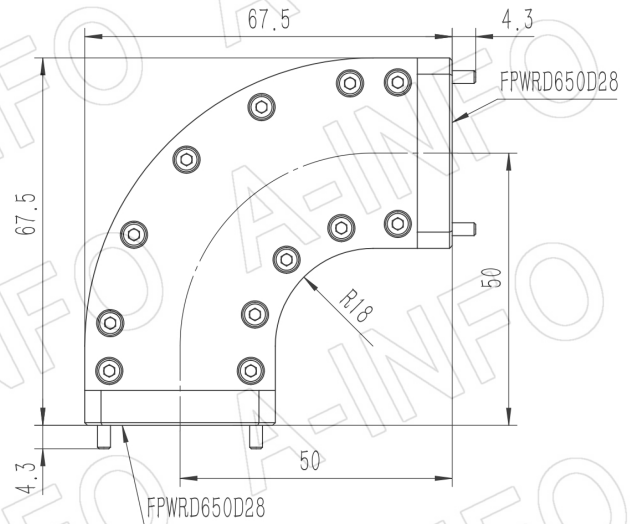
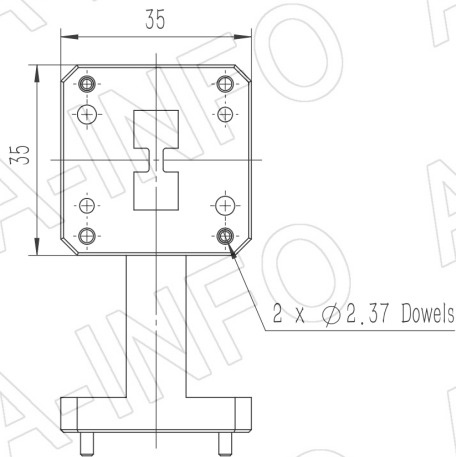
For reference only. See data sheet for the detailed specifications.

## Technical Specification



EIA WRD	WRD650
Frequency Range(GHz)	6.5 – 18.0
Insertion Loss(dB)	0.2 Max.
VSWR	1.20:1 Max.
Flange	FPWRD650D28
Material	Cu
Finish	Silver Plated, Gray Paint
Size(mm)	67.5 x 67.5 x 35
Net Weight(Kg)	0.27 Around

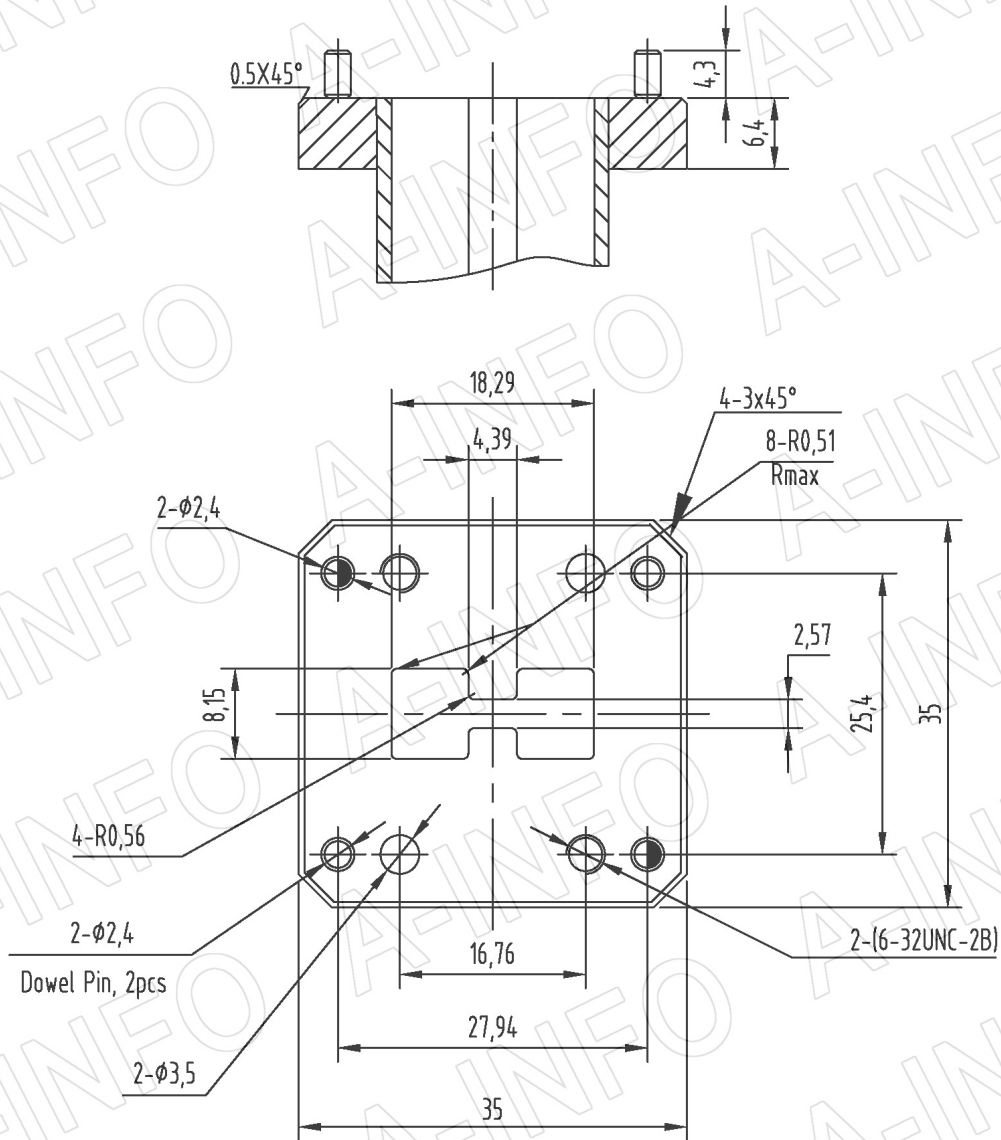
## Outline Drawing (Size: mm)



## Flange Drawing (Size: mm)

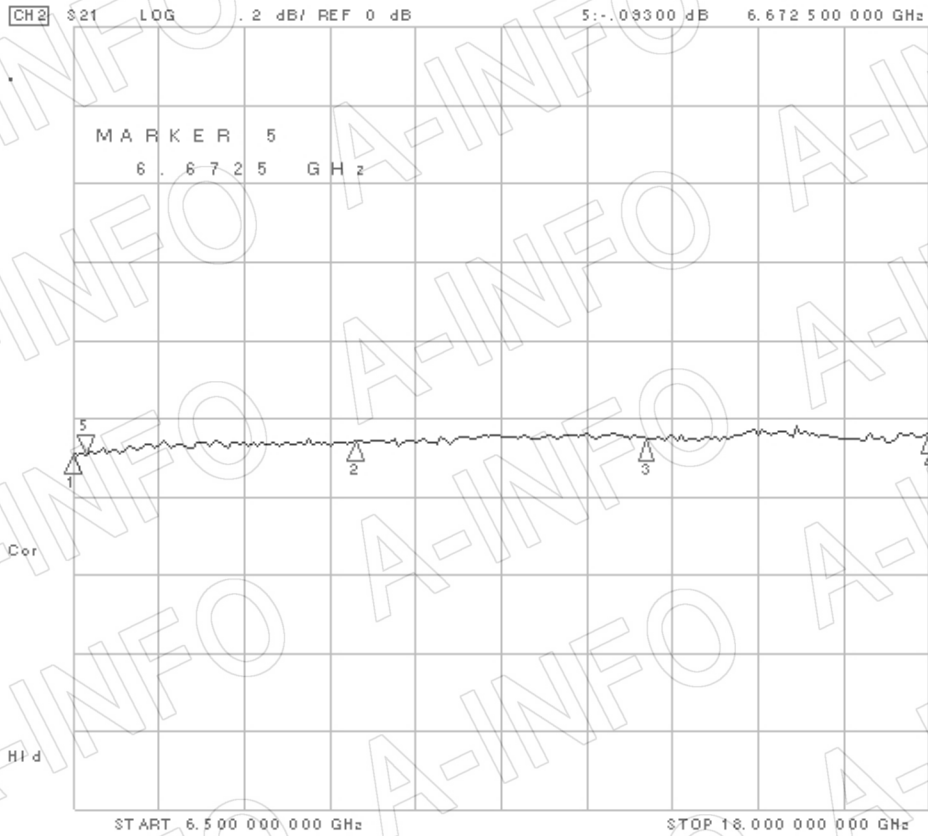
# FPWRD650D28

(With two through mounting holes and two screws holes)



## Test Results

### Insertion Loss



### VSWR

